

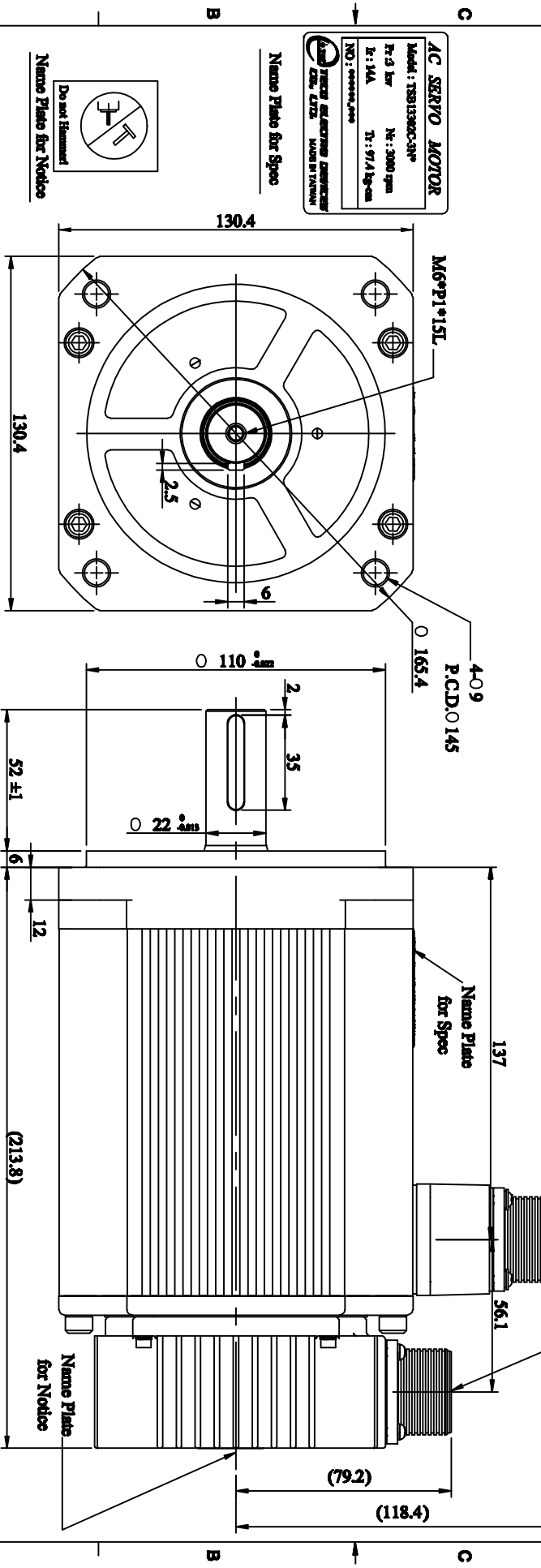
Model: TSB13302C-3N*

No.	Item	Symbol	Unit	Specification	No.	Item	Symbol	Unit	Specification
1	Drive	-	-	Rectangular Wave	13	Rotor Inertia	J-M	kg-cm ²	12.54 ±10%
2	Cooling Method	-	-	Totally Enclosed	14	Rated Power Rate	Q-R	Kw/s	78.5
3	Exciting Method	-	-	Permanent Magnet	15	Resistance	Ra	Ω	0.247 ±10%/2 φ
4	Resolution	-	-	NOTE2.	16	Inductance	L	mH	1.62 ±10%/2 φ
5	Rated Output	P-R	W	3KW	17	Mech. Time Constant	Tm	ms	0.81 ±10%
6	Rated Torque	T-R	N-m	9.545	18	Elect. Time Constant	Te	ms	6.57 ±10%
7	Max. Torque	T-max	N-m	28.645	19	Insulation Class	-	-	Class B
8	Rated Speed	N-R	rpm	3000	20	Operation Temp.	T	°C	0-40
9	Rated Current	I-R	A	14	21	Operation Humd.	RH	%	<90
10	Max. Current	I-max	A	42	22	Storage Temp.	T	°C	-20~-60*
11	Torque Constant	Kt	N-m/A	0.75 ±10%	23	Storage Humd.	RH	%	<90
12	Back emf (at 1800rpm)	Vemf	Volts	81.58 ±10%/2 φ	24	Weight	W	kgw	10.16

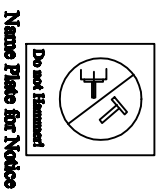
Notes:
 1. Motor to be IP67
 (excluding the shaft opening & connectors)
 2. Encoder TYPE: 2500ppr, 8192ppr
 17bit, 15bit

Military connector
 MSS3102A20-4P

Military connector
 MSS3102A20-18P



AC SERVO MOTOR
 Model : TSB13302C-3N*
 Pr: 3 kw Nt: 3000 rpm
 B: 14A Tr: 97.4 kg-cm
 NO: 0000000000
 MADE IN TAIWAN



STANDARD TOLERANCE		APVD	SCALE	1/2	UNIT	m m	NAME	Servo Motor Outline Drawing		
X	±0.5	CHKD	3RD AP	UNIT	m m	TITLE	TSB13302C-3N*			
XX	±0.2	CHKD					DTSB13302C3N*			
ANGLE	±30°	DWN	SJLlm	DATE	10-04-10					
MATERIAL		REV	DESCRIPTION	SIGNATURE	DATE					